

Irrigation Solenoid Valves S8990 Series (G1", G1 1/2", G2", G2 1/2", G3")

GENERAL FEATURES

- For irrigation systems
- Full orifice solenoid valves
- Big connection sizes
- Suitable for water and air
- Working Temperature: -10°C / +50°C
- Not suitable for use with dangerous fluids listed in Group 1
- Minimum operating differential pressure 1 bar
- High reliability, quality and performance; long life
- Wide range of flow rate and orifice options
- On request; flanged types
- Ideal for the automatic control of media in a wide range of applications.
- Coils interchangeable
- Flow factor Kv of each valve is indicated, so that the flow Q can be calculated as a function of pressure
- Solenoid valves must be used with filtered fluids.
- Solenoid valve can be mounted in any position without affecting operation; vertical with coil upwards preferred.
- Standard pipe connection is G (BSP) (ISO 228-1)

ELECTRICAL CHARACTERISTICS

- Continuous Duty : ED %100
 Coil Insulation Class : H (180°C)
 Encapsulation Material : Fiber Glass Reinforced
 Ambient Temperature : -10°C, +60°C
 Protection Degree : IP 65 (EN 60529) with coil duly fitted with the plug connector
 Electric Plug Connection: DIN 46340 3-poles connectors (DIN 43650)
 Connector Specification: ISO 4400 / EN 175301-803, Form A, Spade plug (Cable Ø 6-8 mm)
 Electrical Safety : IEC 335
 Standard Voltages : AC 12V, 24V, 48V, 110V, 230V
 DC 12V, 24V, 48V, 110V, 230V
 Other voltages on request;
 Voltage Tolerances : AC -15%, +10% DC -5%, +10%
 Frequency : 50 Hz (60 Hz...)
 On request; connector with LED Specify coil voltage with order

MATERIALS

- Body : Reinforced Nylon
 Internal Parts : Stainless Steel and Brass
 Sealing : NBR
 Shading Ring : Copper
 Seats : Brass
 Core Tube : Stainless Steel
 Springs : Stainless Steel
 On request; sealing can be FPM (VITON), EPDM

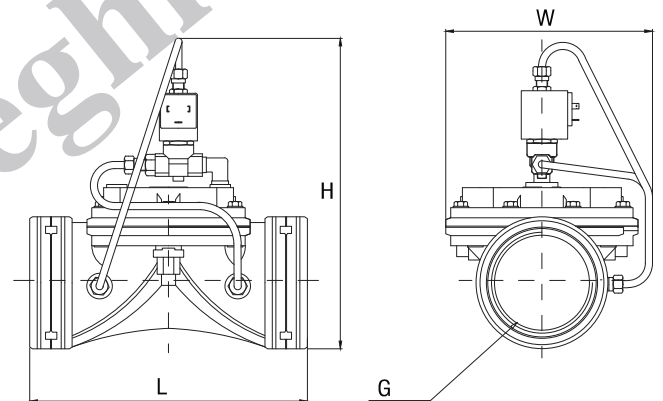
TECHNICAL FEATURES

- Max Viscosity : 5°E (-37cST or mm²/s)
 Response Time : Opening Time : 400 ms - 1600 ms
 Closing Time : 1000 ms - 2000 ms
 Max. Allowable Pressure: 15 bar
 Fluid Temperature for FPM (VITON) from -10°C; +160°C,
 for EPDM from -10°C; +140°C

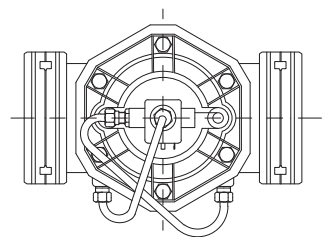
NORMALLY CLOSE

2 WAY

PILOT OPERATED



Dimensions (mm)			
G	L	H	W
1"	135	197	120
1 1/2"	140	213	120
2"	185	241	165
2 1/2"	198	260	165
3"	210	270	176



Solenoid Valve Symbol	Valve Type/ Order no	Connection Size	Orifice Size	Pressure		Kv	Fluid Temperature		Seal	Weight
				min	max		min	max		
	S8990	G	mm	Bar	Bar	Lt/dk	°C			kg
	S8990.05	1"	31	1	10	300	-10	50	NBR	0.75
	S8990.07	1 1/2"	45	1	10	433	-10	50	NBR	0.85
	S8990.08	2"	57	1	10	1066	-10	50	NBR	1.25
	S8990.09	2 1/2"	74	1	10	1150	-10	50	NBR	1.35
S8990.10	3"	86	1	10	1733	-10	50	NBR	1.5	